

Metastatic gastric cancer in fit patients—a practical algorithm of treatment sequencing from the Brazilian Group of Gastrointestinal Tumours (GTG)

Renata D'Alpino Peixoto¹, Gabriel Prola², Anelisa Kruschewsky Coutinho³, Julia Andrade de Oliveira³, Virgilio Souza e Silva⁴, Rachel Riechelmann⁴, Juliana Florinda de Mendonça Rego⁵, Victor Hugo Fonseca de Jesus⁶ and Rui Fernando Weschenfelder⁷

¹BC Cancer Agency, Vancouver, BC V5Z 4E6, Canada

²Oncoclínicas, Porto Alegre 90570-020, Brazil

³Clínica AMO (DASA), Salvador 41950-640, Brazil

⁴AC Camargo Cancer Center, São Paulo 01509-001, Brazil

⁵Oncocentro (DASA), Natal 59020-340, Brazil

⁶Oncoclínicas, Florianópolis 88015-020, Brazil

⁷Hospital Moinhos de Vento, Porto Alegre 90035-000, Brazil

Abstract

Recent advancements in biomarker-driven therapies have significantly transformed the treatment paradigm for unresectable metastatic gastric cancer (mGC). These innovations, however, have introduced not only issues related to accessibility but also complexities for treating physicians, particularly general oncologists, in selecting the most appropriate treatment for each patient and deciding on the best sequencing strategy. This manuscript presents an algorithm developed by the Brazilian Group of Gastrointestinal Tumours, designed to provide straightforward guidance in the management of unresectable mGC. This algorithm, grounded in evidence for fit patients, aims to streamline therapeutic decision-making in clinical practice, assuming the absence of access and resource constraints.

Keywords: *metastatic gastric cancer, gastroesophageal cancer, algorithm*

Introduction

According to GLOBOCAN 2020, more than 1,000,000 patients are diagnosed with gastric cancer worldwide, representing 5.6% of all malignancies. Due to the subtle symptoms of early stage disease and the low prevalence of regular screening, most patients are diagnosed at advanced stages, at which point a cure is exceedingly rare. GC accounts for 7.7% of all fatalities, making it the third leading cause of cancer mortality in the world [1]. Consequently, metastatic GC (mGC) represents a substantial public health challenge that warrants further attention.

Recent advancements in biomarker-driven therapies have significantly transformed the treatment landscape for mGC [2]. For instance, since the publication of our group's consensus on GC in 2020, several immune checkpoint inhibitors (ICIs), along with zolbetuximab and trastuzumab-deruxtecan, have gained approval in several countries for use in

Correspondence to: Renata D'Alpino Peixoto
Email: renatadalpino@gmail.com

ecancer 2025, 19:1848
<https://doi.org/10.3332/ecancer.2025.1848>

Published: 13/02/2025

Received: 08/09/2024

Publication costs for this article were supported by ecancer (UK Charity number 1176307).

Copyright: © the authors; licensee ecancermedicalscience. This is an Open Access article distributed under the terms of the Creative Commons Attribution License (<http://creativecommons.org/licenses/by/4.0>), which permits unrestricted use, distribution, and reproduction in any medium, provided the original work is properly cited.

the metastatic setting [3]. However, these developments have introduced not only issues related to access but also complexities for treating physicians, particularly general oncologists, in selecting the most appropriate treatment for each individual patient.

Unfortunately, most guidelines lack clarity in providing treatment sequencing algorithms for mGC [4–6]. They primarily focus on first-line settings and often fail to incorporate recent advancements. The Brazilian Group of Gastrointestinal Tumours (GTG) acknowledges the challenges in developing straightforward management protocols for unresectable mGC. To address this, GTG proposes an ideal algorithm based on evidence for fit patients to facilitate therapeutic decisions in clinical practice (Figure 1). However, it is important to recognize the limitations of this algorithm in depicting all possible clinical scenarios, including maintenance and locoregional therapies. In addition, we recommend regular assessment and management of symptoms such as pain, nausea and fatigue, as well as nutritional support and psychological counselling for all patients with mGC.

Our algorithm was developed under the assumption that there are no access and resource limitations. Consequently, it should not be regarded as a regulatory guideline. We acknowledge that in many parts of the world, many of the recommended options may not be available. In such cases, one should proceed to the next step in the algorithm. In addition, whenever feasible, patients should be encouraged to participate in clinical trials. For the purpose of this algorithm, gastroesophageal junction adenocarcinomas are considered analogous to GC.

We recommend that all fit patients with mGC be tested for microsatellite instability (MSI)/mismatch repair (MMR), human epidermal growth factor receptor 2 (HER2), programmed cell death ligand 1 (PD-L1) and Claudin 18.2. Stratification based on those current molecular biomarkers offers an opportunity to identify patients who may derive the greatest benefit from the addition of immunotherapy or targeted therapy to a doublet chemotherapy regimen. This regimen typically involves the combination of a fluoropyrimidine (such as 5-fluorouracil or capecitabine) and a platinum agent (such as oxaliplatin or cisplatin). As a group, our preferred chemotherapy doublet regimen is FOLFOX. In many regions globally, S1 is not available and thus will not be considered in our treatment algorithm. The list of relevant molecular features is expected to continue expanding, adding further complexity to the therapeutic strategies for treating mGC.

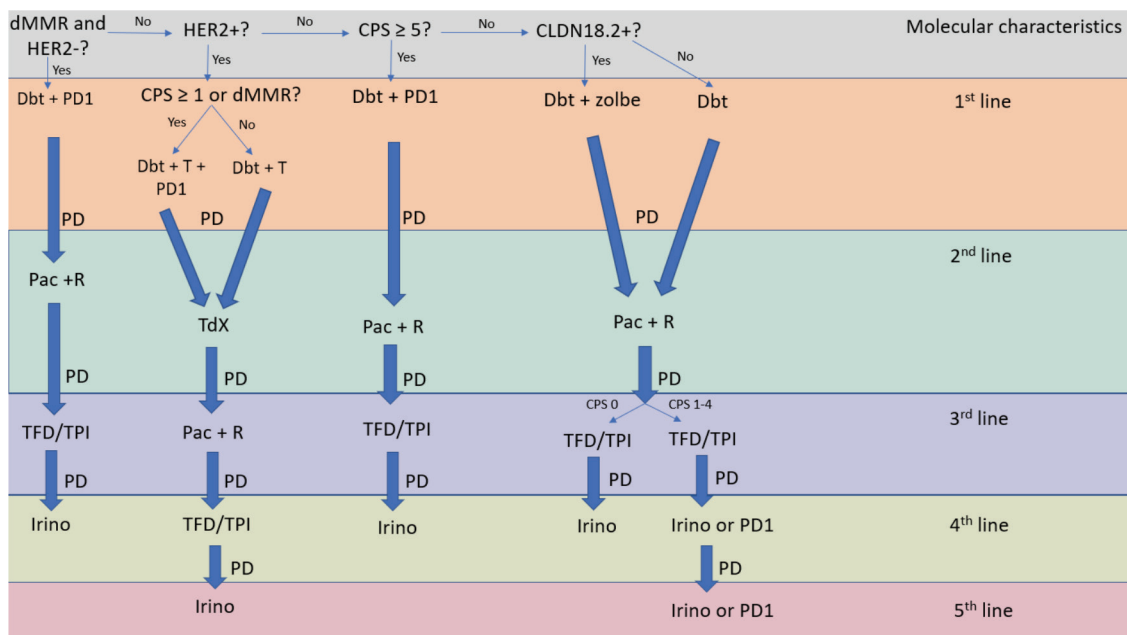


Figure 1. Flowchart describing treatment choices according to molecular features and lines of therapy in mGC.

Algorithm describing treatment choices according to molecular features and lines of therapy in mGC

The first step in our algorithm involves determining the MSI/MMR status, as patients with MSI-high (MSI-H) or deficient MMR (dMMR) tumours may potentially be cured with ICI. These patients constitute approximately 5% of all mGC cases [7, 8]. Although there is a lack of randomized trials exclusively involving MSI-H/dMMR mGC patients in the first-line setting, data from phase III studies in HER2-negative patients suggest significant benefits from adding anti-programmed cell death 1 (anti-PD1) monoclonal antibodies to chemotherapy. These studies, including CheckMate-649 [9], Keynote-859 [10], Keynote-062 [11], Attraction-4 [12] and ORIENT-16 [13], demonstrate impressive responses and prolonged survival with immunotherapy in the relatively small subgroup of MSI-H/dMMR patients. For instance, the unstratified hazard ratios (HRs) for overall survival (OS) with nivolumab plus chemotherapy versus chemotherapy alone among patients with MSI-H and microsatellite stable (MSS) mGC were 0.37 (0.16–0.87) and 0.80 (0.71–0.91), respectively, across all randomized patients. However, only 3% of these patients had MSI-H tumours [9].

For patients with MSI-H and HER2-negative mGC who progress on chemotherapy combined with an anti-PD1 agent and remain fit for further treatment, we typically offer a combination of paclitaxel and ramucirumab, as supported by the Rainbow phase III trial [14]. Although this trial did not stratify patients by molecular features, those who received paclitaxel and ramucirumab demonstrated a longer median OS compared to those receiving only paclitaxel (9.6 versus 7.4 months, respectively – HR 0.8, $p = 0.017$). Upon progression following the second-line treatment with paclitaxel and ramucirumab, the best evidence and our recommendation is to offer trifluridine-tipiracil (TFD/TPI), based on the findings of the TAGS phase III trial [15]. Median OS was 5.7 months in the TFD/TPI group and 3.6 months in the placebo group (HR 0.69, $p = 0.00058$). In the rare circumstances where a patient progresses on third-line chemotherapy and remains well enough to continue systemic treatment, we would offer irinotecan, despite the low level of evidence supporting its efficacy [16, 17].

Approximately 7%–20% of mGC patients harbour HER2-positive tumours. The epidemiologic LEGACY study, which analysed data from 689 patients with GC across Europe and Latin America (LATAM), reported an HER2 positivity rate of 13.8% among patients from LATAM [18]. Since the publication of the phase III Toga trial, the addition of trastuzumab to a doublet chemotherapy became a standard of care in the first-line setting by increasing median OS from 11.1 to 13.8 months (HR 0.74, $p = 0.0046$) [19]. In our opinion, a chemotherapy doublet with trastuzumab remains the gold standard treatment for those HER2-positive, MSS and PD-L1 negative tumours. For those HER2-positive tumours that are also PD-L1 positive by combined positive score (CPS) ≥ 1 and/or MSI-H/dMMR, we recommend the addition of an anti-PD1 agent based on the Keynote-811 trial [20]. As presented at the European Society for Medical Oncology 2023 Meeting, the third interim analysis revealed that the addition of pembrolizumab to chemotherapy and trastuzumab increased progression-free survival (PFS) from 8.1 to 10 months (HR 0.72, $p = 0.0002$) [20]. This improvement was even more pronounced among patients with a CPS of 1 or greater, with PFS increasing from 7.2 to 10.8 months (HR 0.70). Furthermore, on 01 May 2024, Merck announced that OS was also significantly increased by the addition of pembrolizumab [21].

When HER2-positive patients progress on a first-line trastuzumab-containing regimen, regardless of their CPS or MSI status, we recommend second-line treatment with trastuzumab deruxtecan based on the results of the phase II DESTINY-Gastric01 and DESTINY-Gastric02 trials [22, 23]. In these studies, overall response rates (RRs) ranged from 42% to 51%, which is superior to the RRs of less than 30% typically achieved with traditional second-line treatment with paclitaxel and ramucirumab. In addition, the median OS was 12.5 months for the group that received trastuzumab deruxtecan, compared to 8.4 months for those who received the investigator's choice of chemotherapy in the DESTINY-Gastric01 trial [22]. However, it is important to acknowledge that the optimal second-line treatment for patients with HER2-positive tumours who progress following first-line therapy with a chemotherapy doublet plus trastuzumab, with or without pembrolizumab, remains uncertain. Based on current evidence, trastuzumab deruxtecan appears to provide superior RRs and OS benefits when compared indirectly to paclitaxel and ramucirumab in the second-line setting. Furthermore, it is crucial to confirm HER2 positivity at the time of progression on first-line therapy through a biopsy, particularly if trastuzumab deruxtecan is being considered as a therapeutic option. Following failure on trastuzumab deruxtecan, we recommend subsequent treatment with paclitaxel and ramucirumab. If progression continues, the next line of therapy would be TFD/TPI, followed by irinotecan, as previously mentioned.

For patients with MSS and HER2-negative tumours, the next step is to determine their PD-L1 status, despite it being a complex and heterogeneous biomarker [24]. Numerous recent clinical trials of ICIs for the treatment of gastric cancer have reported that the CPS is a valuable predictor of treatment response to ICIs [9–13]. Furthermore, it is estimated that approximately 55%–66% of patients with advanced GC express PD-L1 [9–13]. CPS is defined as the number of cells stained positive for PD-L1 (including tumour cells, lymphocytes and macrophages) as a proportion of the total number of tumour cells, multiplied by 100.

Although various PD-L1 IHC assays have been validated across different solid tumours to guide patient selection for immunotherapy, in GC, the antibodies 22C3 and 28-8 are more commonly utilized in clinical practice. This preference arises from their extensive use in clinical trials assessing pembrolizumab and nivolumab. When CPS is applied, analytical concordance in PD-L1 testing between different PD-L1 assays has been suggested [25].

Many regulatory agencies worldwide have initially approved the use of anti-PD1 agents in combination with chemotherapy regardless of PD-L1 status. However, we believe that patients with a CPS <5 do not derive significant benefit from ICIs. Based on the available evidence, we recommend the use of chemotherapy in conjunction with an anti-PD-1 agent when the CPS is 5 or higher. For CPS levels between 1 and 4, the incorporation of immunotherapy may be considered; however, this should be weighed against the increased costs and potential adverse events, given its relatively modest added benefit. Furthermore, no randomized clinical trials have demonstrated a statistically significant benefit of adding an anti-PD-1 antibody to chemotherapy in patients with CPS scores ranging from 1 to 4 or even from 1 to 10 [9–13].

Following progression or intolerance to chemotherapy and an anti-PD1 agent, we recommend second-line treatment with paclitaxel and ramucirumab. Subsequent lines of therapy would be TFD/TPI followed by either irinotecan or an anti-PD1 agent in monotherapy. The ATTRACTION-2 phase III trial demonstrated that nivolumab modestly improved OS versus placebo in third or later lines of therapy (5.3 versus 4.1 months; HR 0.62, $p < 0.0001$) [26], while the Keynote-059, a single arm phase II trial, demonstrated improved RR with pembrolizumab among those patients with CPS ≥ 1 [27]. Consequently, an anti-PD-1 agent represents a rational option for third-line or subsequent therapy in cases where the CPS is ≥ 1 , provided that it has not been utilized in prior treatment.

And that brings us to the final part of our algorithm: the status of Claudin 18.2 (CLDN18.2), an emerging and promising target in mGC. Recent data from both the phase III Spotlight and GLOW trials have unveiled the efficacy of zolbetuximab, a CLDN18.2-targeting antibody, in combination with oxaliplatin-based chemotherapy for CLDN18.2-positive metastatic GC. Those studies have demonstrated an OS gain with the addition of zolbetuximab, despite no significant increases in RRs [28, 29]. The median OS reached 18.2 months for patients who received FOLFOX and zolbetuximab, compared to 15.5 months for those who received only chemotherapy, according to the Spotlight trial [28].

For patients who are MSS, HER2-negative, CPS-negative and CLDN18.2-negative, we would recommend chemotherapy as the primary treatment option. In the case of a fit patient who requires a strong response, it is worth considering whether offering a triplet regimen (a combination of a fluoropyrimidine, a platinum agent and a taxane) could potentially improve outcomes, although this approach remains debatable since it significantly increases toxicity [30, 31]. Later lines of treatment would follow the previous discussion unless the patient has received a triplet in the first line. For those cases, we would only ramucirumab as a single agent in the second line [32]. Patients who have either received first-line FLOT or experienced relapse within 12 months after perioperative FLOT may consider FOLFIRI in combination with ramucirumab as a viable option to address prior taxane exposure. Although the phase II RAMIRIS trial did not achieve its primary endpoint of OS compared to historical controls, the 25% RR observed in patients previously treated with docetaxel represents a clinically meaningful outcome in this context [33]. Nonetheless, access to the combination of FOLFIRI and ramucirumab remains challenging.

The incorporation of novel biomarkers is anticipated to advance the therapeutic landscape for GC in the near future. Among these, Fibroblast Growth Factor Receptor 2 (FGFR2) has emerged as one of the most promising actionable targets. FGFR2 amplification is observed in approximately 3%–10% of advanced GC cases, with a higher prevalence in diffuse or poorly differentiated subtypes [34, 35]. In the phase II **FIGHT trial**, the addition of **bemarituzumab**, a monoclonal antibody targeting FGFR2b, to FOLFOX chemotherapy demonstrated significant activity in the first-line treatment of patients with FGFR2b overexpression, as identified by IHC, and/or FGFR2 gene amplification detected through circulating tumour DNA analysis [36].

Building on these findings, phase III trials are currently underway to further evaluate bemarituzumab in FGFR2-positive patients. These include the **FORTITUDE-101 trial (NCT05052801)**, assessing its combination with FOLFOX alone, and the **FORTITUDE-102 trial (NCT05111626)**, investigating its addition to a regimen of FOLFOX plus nivolumab. These studies aim to establish the efficacy of FGFR2-targeted therapy in this molecularly defined subset of patients with advanced GC.

Although rare, genetic alterations, such as BRAF mutations, high tumour mutational burden outside of MSI-H status and gene fusions, can occasionally be identified in mGC [32]. These alterations are not currently incorporated into standard treatment algorithms. However, their potential therapeutic relevance is acknowledged, and targeted therapies may offer benefits for this subset of patients. When accessible, comprehensive genomic sequencing could provide valuable insights to guide treatment decisions in these cases.

Conclusion

With this algorithm, the Brazilian Group of GTG posits that most scenarios involving unresectable mGC in fit patients are addressed, thereby offering substantial assistance to clinicians in making therapeutic decisions. Nonetheless, it is crucial to consider access and resource limitations in actual clinical practice. Clinical trial enrolment must remain a priority in this setting, given the persistently poor outcomes. In addition, it is imperative to continue gaining molecular insights to better characterize the heterogeneous nature of GC.

List of abbreviations

CLDN18.2, Claudin 18.2; CPS, Combined positive score; Dbt, Doublet; dMMR, Deficient mismatch repair; HER2, Human epidermal growth factor receptor 2; Irino, Irinotecan; Pac, Paclitaxel; PD, Progression of disease; PD1, Anti-programmed cell death protein 1 monoclonal antibody; R, Ramucirumab; T, Trastuzumab; TdX, Trastuzumab deruxtecan; TFD/TPI, Trifluridine/tipiracil; Zolbe, Zolbetuximab.

Acknowledgments

None.

Conflicts of interest

The authors declare no conflict of interest for this manuscript.

Funding

None.

References

1. Sung H, Ferlay J, and Siegel RL, et al (2021) Global cancer statistics 2020: GLOBOCAN estimates of incidence and mortality worldwide for 36 cancers in 185 countries *CA Cancer J Clin* 71 209–249 <https://doi.org/10.3322/caac.21660> PMID: [33538338](https://pubmed.ncbi.nlm.nih.gov/33538338/)
2. Guan WL, He Y, and Xu RH (2023) Gastric cancer treatment: recent progress and future perspectives *Hematol Oncol* 16 57 <https://doi.org/10.1186/s13045-023-01451-3>
3. Peixoto RD, Rocha-Filho DR, and Weschenfelder RF, et al (2020) Brazilian group of gastrointestinal tumours' consensus guidelines for the management of gastric cancer *Ecancermedicalscience* 14 1126 PMID: [33209117](https://pubmed.ncbi.nlm.nih.gov/33209117/) PMCID: [7652540](https://pubmed.ncbi.nlm.nih.gov/7652540/)
4. Lordick F, Carneiro F, and Cascinu S, et al (2022) Gastric cancer: ESMO clinical practice guideline for diagnosis, treatment and follow-up *Ann Oncol* 33 1005–1020 <https://doi.org/10.1016/j.annonc.2022.07.004> PMID: [35914639](https://pubmed.ncbi.nlm.nih.gov/35914639/)
5. Ajani JA, D'Amico TA, and Brentem DJ, et al (2022) Gastric cancer, version 2.2022, NCCN clinical practice guidelines in oncology *J Natl Compr Canc Netw* 20 167–192 <https://doi.org/10.6004/jnccn.2022.0008> PMID: [35130500](https://pubmed.ncbi.nlm.nih.gov/35130500/)
6. Japanese Gastric Cancer Association (2023) Japanese gastric cancer treatment guidelines 2021 (6th edition) *Gastric Cancer* 26 1–25 <https://doi.org/10.1007/s10120-022-01331-8> PMCID: [9813208](https://pubmed.ncbi.nlm.nih.gov/9813208/)

7. Pietrantonio F, Randon G, and Bartolomeo MD, *et al* (2021) **Predictive role of microsatellite instability for PD-1 blockade in patients with advanced gastric cancer: a meta-analysis of randomized clinical trials** *ESMO Open* 6 100036 <https://doi.org/10.1016/j.esmoop.2020.100036> PMID: 33460964 PMCID: 7815473
8. Kang YJ, O'Haire S, and Franchini F, *et al* (2022) **A scoping review and meta-analysis on the prevalence of pan-tumour biomarkers (dMMR, MSI, high TMB) in different solid tumours** *Sci Rep* 12 20495 <https://doi.org/10.1038/s41598-022-23319-1> PMID: 36443366 PMCID: 9705554
9. Janjigian YY, Shitara K, and Moehler, *et al* (2021) **First-line nivolumab plus chemotherapy versus chemotherapy alone for advanced gastric, gastro-oesophageal junction, and oesophageal adenocarcinoma (CheckMate 649): a randomised, open-label, phase 3 trial** *Lancet* 398 27–40 [https://doi.org/10.1016/S0140-6736\(21\)00797-2](https://doi.org/10.1016/S0140-6736(21)00797-2) PMID: 34102137 PMCID: 8436782
10. Rha SY, Oh DY, and Yáñez P, *et al* (2023) **Pembrolizumab plus chemotherapy versus placebo plus chemotherapy for HER2-negative advanced gastric cancer (KEYNOTE-859): a multicentre, randomised, double-blind, phase 3 trial** *Lancet Oncol* 24 1181–1195 [https://doi.org/10.1016/S1470-2045\(23\)00515-6](https://doi.org/10.1016/S1470-2045(23)00515-6) PMID: 37875143
11. Shitara K, Van Cutsem E, and Bang YJ, *et al* (2020) **Efficacy and safety of pembrolizumab or pembrolizumab plus chemotherapy vs chemotherapy alone for patients with first-line, advanced gastric cancer: the KEYNOTE-062 phase 3 randomized clinical trial** *JAMA Oncol* 6 1571–1580 <https://doi.org/10.1001/jamaoncol.2020.3370> PMID: 32880601 PMCID: 7489405
12. Kang YK, Chen LT, and Ryu MH, *et al* (2022) **Nivolumab plus chemotherapy versus placebo plus chemotherapy in patients with HER2-negative, untreated, unresectable advanced or recurrent gastric or gastro-oesophageal junction cancer (ATTRACTION-4): a randomised, multicentre, double-blind, placebo-controlled, phase 3 trial** *Lancet Oncol* 23 234–247 [https://doi.org/10.1016/S1470-2045\(21\)00692-6](https://doi.org/10.1016/S1470-2045(21)00692-6) PMID: 35030335
13. Xu J, Jiang H, and Pan Y, *et al* (2023) **Sintilimab plus hemotherapy for unresectable gastric or gastroesophageal junction cancer: the ORIENT-16 randomized clinical trial** *JAMA* 330 2064–2074
14. Wilke H, Muro K, and Van Cutsem E, *et al* (2014) **Ramucirumab plus paclitaxel versus placebo plus paclitaxel in patients with previously treated advanced gastric or gastro-oesophageal junction adenocarcinoma (RAINBOW): a double-blind, randomised phase 3 trial** *Lancet Oncol* 15 1224–1235
15. Shitara S, Doi T, and Dvorkin M, *et al* (2018) **Trifluridine/tipiracil versus placebo in patients with heavily pretreated metastatic gastric cancer (TAGS): a randomised, double-blind, placebo-controlled, phase 3 trial** *Lancet Oncol* 19 1437–1448 PMID: 30355453
16. Maliyama A, Arimizu K, and Hirano G, *et al* (2018) **Irinotecan monotherapy as third-line or later treatment in advanced gastric cancer** *Gastric Cancer* 21 464–472 <https://doi.org/10.1007/s10120-017-0759-9>
17. Yu N, Huang S, and Zhang Z, *et al* (2024) **A prospective phase II single-arm study and predictive factor analysis of irinotecan as third-line treatment in patients with metastatic gastric cancer** *Ther Adv Med Oncol* 28 17588359241229433 <https://doi.org/10.1177/17588359241229433>
18. Freile B, van Schooten TS, and Derk S, *et al* (2024) **Gastric cancer hospital-based registry: real-world gastric cancer data from Latin America and Europe** *ESMO Gastrointest Oncol* 6 100088 [[https://www.esmogastro.org/article/S2949-8198\(24\)00049-9/fulltext](https://www.esmogastro.org/article/S2949-8198(24)00049-9/fulltext)] <https://doi.org/10.1016/j.esmogo.2024.100088>
19. Bang YJ, Van Cutsem E, and Feyereislova A, *et al* (2010) **Trastuzumab in combination with chemotherapy versus chemotherapy alone for treatment of HER2-positive advanced gastric or gastro-oesophageal junction cancer (ToGA): a phase 3, open-label, randomised controlled trial** *Lancet* 376 687–697 [https://doi.org/10.1016/S0140-6736\(10\)61121-X](https://doi.org/10.1016/S0140-6736(10)61121-X) PMID: 20728210
20. Janjigian YY, Kawazoe A, and Bai Y, *et al* (2023) **Pembrolizumab plus trastuzumab and chemotherapy for HER2+ metastatic gastric or gastroesophageal junction (mG/GEJ) adenocarcinoma: survival results from the phase 3, randomized, double-blind, placebo-controlled KEYNOTE-811 study** *Lancet* 402(10418) 2197–2208 [https://doi.org/10.1016/S0140-6736\(23\)02033-0](https://doi.org/10.1016/S0140-6736(23)02033-0) PMID: 37871604

21. Merck & Co., Inc (2024) Merck Announces Phase 3 KEYNOTE-811 Trial Met Dual Primary Endpoint of Overall Survival (OS) as First-Line Treatment in Patients With HER2-Positive Advanced Gastric or Gastroesophageal Junction (GEJ) Adenocarcinoma –Merck.com (Rahway: Merck & Co., Inc)
22. Shitara K, Bang YJ, and Iwasa S, *et al* (2020) **Trastuzumab deruxtecan in previously treated HER2-positive gastric cancer** *N Engl J Med* **382** 2419–2430 <https://doi.org/10.1056/NEJMoa2004413> PMID: [32469182](https://pubmed.ncbi.nlm.nih.gov/32469182/)
23. Van Cutsem E, di Bartolomeo M, and Smyth E, *et al* (2023) **Trastuzumab deruxtecan in patients in the USA and Europe with HER2-positive advanced gastric or gastroesophageal junction cancer with disease progression on or after a trastuzumab-containing regimen (DESTINY-Gastric02): primary and updated analyses from a single-arm, phase 2 study** *Lancet Oncol* **24** 744–756 [https://doi.org/10.1016/S1470-2045\(23\)00215-2](https://doi.org/10.1016/S1470-2045(23)00215-2) PMID: [37329891](https://pubmed.ncbi.nlm.nih.gov/37329891/) PMCID: [11298287](https://pubmed.ncbi.nlm.nih.gov/11298287/)
24. Peixoto RD, Mathias-Machado MC, and Jacome A, *et al* (2023) **PD-L1 testing in advanced gastric cancer-what physicians who treat this disease must know-a literature review** *J Gastrointest Oncol* **14** 1560–1575 <https://doi.org/10.21037/jgo-22-1133> PMID: [37435200](https://pubmed.ncbi.nlm.nih.gov/37435200/) PMCID: [10331768](https://pubmed.ncbi.nlm.nih.gov/10331768/)
25. Klemptner SJ, Cowden ES, and Cytryn SL, *et al* (2024) **PD-L1 immunohistochemistry in gastric cancer: comparison of combined positive score and tumor area positivity across 28-8, 22C3, and SP263 assays** *JCO Precis Oncol* **8** e2400230 <https://doi.org/10.1200/PO.24.00230>
26. Boku N, Satoh T, and Ryu MH, *et al* (2021) **Nivolumab in previously treated advanced gastric cancer (ATTRACTION-2): 3-year update and outcome of treatment beyond progression with nivolumab** *Gastric Cancer* **24** 946–958 <https://doi.org/10.1007/s10120-021-01173-w> PMID: [33743112](https://pubmed.ncbi.nlm.nih.gov/33743112/) PMCID: [8205916](https://pubmed.ncbi.nlm.nih.gov/8205916/)
27. Fuchs CS, Doi T, and Jang RW, *et al* (2018) **Safety and efficacy of pembrolizumab monotherapy in patients with previously treated advanced gastric and gastroesophageal junction cancer: phase 2 clinical KEYNOTE-059 trial** *JAMA Oncol* **4** e180013 PMID: [29543932](https://pubmed.ncbi.nlm.nih.gov/29543932/) PMCID: [5885175](https://pubmed.ncbi.nlm.nih.gov/5885175/)
28. Shitara K, Lordick F, and Bang YJ, *et al* (2023) **Zolbetuximab plus mFOLFOX6 in patients with CLDN18.2-positive, HER2-negative, untreated, locally advanced unresectable or metastatic gastric or gastro-oesophageal junction adenocarcinoma (SPOTLIGHT): a multicentre, randomised, double-blind, phase 3 trial** *Lancet* **401** 1655–1668 [https://doi.org/10.1016/S0140-6736\(23\)00620-7](https://doi.org/10.1016/S0140-6736(23)00620-7) PMID: [37068504](https://pubmed.ncbi.nlm.nih.gov/37068504/)
29. Shah MA, Shitara K, and Ajani JA, *et al* (2023) **Zolbetuximab plus CAPOX in CLDN18.2-positive gastric or gastroesophageal junction adenocarcinoma: the randomized, phase 3 GLOW trial** *Nat Med* **29** 2133–2141 <https://doi.org/10.1038/s41591-023-02465-7> PMID: [37524953](https://pubmed.ncbi.nlm.nih.gov/37524953/) PMCID: [10427418](https://pubmed.ncbi.nlm.nih.gov/10427418/)
30. Van Cutsem E, Moiseyenko, and Tjulandin S, *et al* (2006) **Phase III study of docetaxel and cisplatin plus fluorouracil compared with cisplatin and fluorouracil as first-line therapy for advanced gastric cancer: a report of the V325 study group** *J Clin Oncol* **24** 4991–4997 <https://doi.org/10.1200/JCO.2006.06.8429> PMID: [17075117](https://pubmed.ncbi.nlm.nih.gov/17075117/)
31. Zaanani A, Bouche O, and de la Fouchardiere C, *et al* (2023) **5-fluorouracil and oxaliplatin with or without docetaxel in the first-line treatment of HER2 negative locally advanced (LA) unresectable or metastatic gastric or gastro-esophageal junction (GEJ) adenocarcinoma (GASTFOX-PRODIGE 51): a randomized phase III trial sponsored by the FFCD** *Ann Oncol* **34**(suppl_2) S1318 <https://doi.org/10.1016/j.annonc.2023.10.078>
32. Fuchs CS, Tomasek J, and Yong CJ, *et al* (2014) **Ramucirumab monotherapy for previously treated advanced gastric or gastro-oesophageal junction adenocarcinoma (REGARD): an international, randomised, multicentre, placebo-controlled, phase 3 trial** *Lancet* **383** 31–39 [https://doi.org/10.1016/S0140-6736\(13\)61719-5](https://doi.org/10.1016/S0140-6736(13)61719-5)
33. Lorenzen S, Thuss-Patience P, and Pauligk C, *et al* (2022) **FOLFIRI plus ramucirumab versus paclitaxel plus ramucirumab as second-line therapy for patients with advanced or metastatic gastroesophageal adenocarcinoma with or without prior docetaxel – results from the phase II RAMIRIS study of the German Gastric Cancer Study Group at AIO** *Eur J Cancer* **165** 48–57 <https://doi.org/10.1016/j.ejca.2022.01.015> PMID: [35202974](https://pubmed.ncbi.nlm.nih.gov/35202974/)

34. Cancer Genome Atlas Research Network (2014) Comprehensive molecular characterization of gastric adenocarcinoma *Nature* **513** 202–209 <https://doi.org/10.1038/nature13480> PMID: [25079317](https://pubmed.ncbi.nlm.nih.gov/25079317/) PMCID: [4170219](https://pubmed.ncbi.nlm.nih.gov/4170219/)
35. Jung EJ, Jung EJ, and Min SY, *et al* (2012) **Fibroblast growth factor receptor 2 gene amplification status and its clinicopathologic significance in gastric carcinoma** *Hum Pathol* **43** 1559–1566 <https://doi.org/10.1016/j.humpath.2011.12.002> PMID: [22440694](https://pubmed.ncbi.nlm.nih.gov/22440694/)
36. Wainberg ZA, Enzinger PC, and Kang YK, *et al* (2022) Bemarituzumab in patients with FGFR2b-selected gastric or gastro-oesophageal junction adenocarcinoma (FIGHT): a randomised, double-blind, placebo-controlled, phase 2 study *Lancet Oncol* **23** 1430–1440